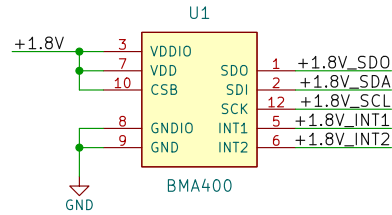
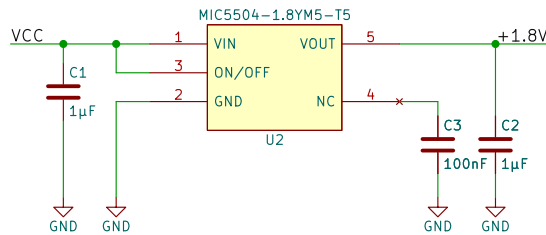


SENSOR



VOLTAGE REGULATOR



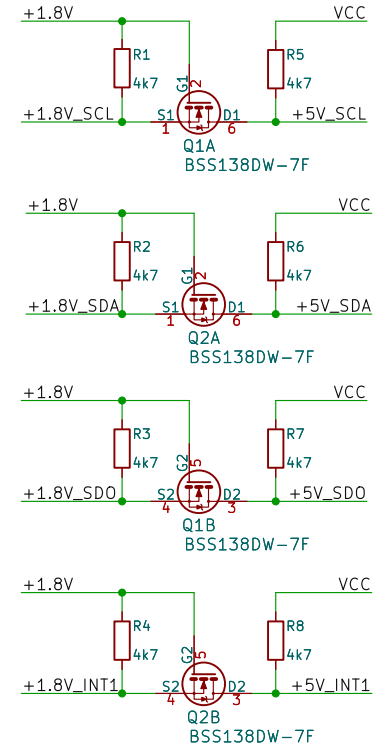
NOTES

1. For Default I2C Address (0x15), leave SDO Pin unconnected. For Alternative I2C Address (0x14), connect SDO Pin to GND.
2. SPI Communication for the BMA400 is not available on this board.
3. Power Supply can operate with 3.3V or 5V on VCC Pin.
4. Mounting Holes (2.8mm) are designed for M2.5 Screws (ISO metric).
5. Only the Interrupt Pin INT1 from BMA400 is connected to a level shifter (Logic HIGH = VCC).
6. The Interrupt Pin INT2 from BMA400 has no logic level shifting (Logic HIGH = +1.8V).

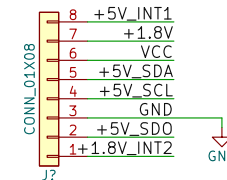
BILL OF MATERIALS

- | | | | |
|-----|----|---|-------------------|
| 1. | C1 | - | LMK107B7105KA-T |
| 2. | C2 | - | LMK107B7105KA-T |
| 3. | C3 | - | CL10B104K08NNNC |
| 4. | R1 | - | RC0603FR-074K7L |
| 5. | R2 | - | RC0603FR-074K7L |
| 6. | R3 | - | RC0603FR-074K7L |
| 7. | R4 | - | RC0603FR-074K7L |
| 8. | R5 | - | RC0603FR-074K7L |
| 9. | R6 | - | RC0603FR-074K7L |
| 10. | R7 | - | RC0603FR-074K7L |
| 11. | R8 | - | RC0603FR-074K7L |
| 12. | Q1 | - | BSS138DW-7-F |
| 13. | Q2 | - | BSS138DW-7-F |
| 14. | U1 | - | BMA400 |
| 15. | U2 | - | MIC5504-1.8YM5-TR |
| 16. | J1 | - | S1011EC-40-ND |

BIDIRECTIONAL LOGIC LEVEL CONVERTER



HEADER



BlueDot

Sheet: /
File: BMA400_V1.kicad_sch

Title: BMA400 Ultra-Low Power Acceleration Sensor

Size: A4 Date: 2023-07-22

Rev: 1.00

KiCad E.D.A. kicad (6.0.8)

Id: 1/1