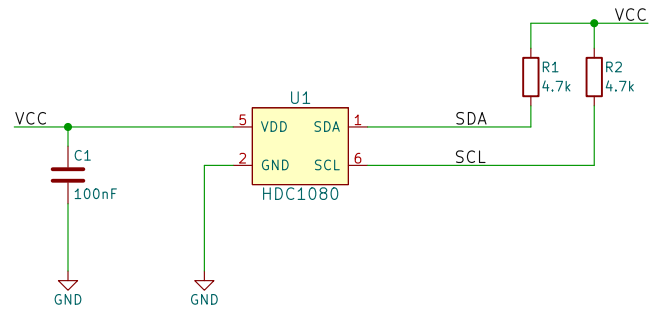


SENSOR



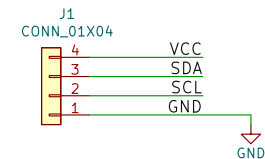
NOTES

1. The HDC1080 has a single I2C Address (0x40).
2. The sensor can operate with 3.3V or 5V on VCC Pin.
3. Mounting Holes (2.8mm) are designed for M2.5 Screws (ISO metric).
4. The Thermal Pad under the HDC1080 was left unsoldered and electrically unconnected.

BILL OF MATERIALS

1.	C1	-	CL10B104K08NNNC
2.	R1	-	RC0603FR-074K7L
3.	R2	-	RC0603FR-074K7L
4.	U1	-	HDC1080DMBR
5.	J1	-	S1011EC-40-ND

HEADER



BlueDot

Sheet: /
File: HDC1080_V1.kicad_sch

Title: HDC1080 Low-Power Humidity Sensor

Size: A4 Date: 2023-07-23

KiCad E.D.A. kicad (6.0.8)

Rev: 1.00

Id: 1/1